

# EASY PUSH EMPTYING AID

For light, expanding and wedging materials

New additional option for press container\*

Easy container emptying at the push of a button

\*only for new orders (no retrofit solution)

- ✓ Expanding materials
- ✓ Polystyrene
- ✓ Insulation wool
- ✓ Cardboard packaging
- ✓ Milling waste made of plastic and wood



Easy push - hydraulic push-out walls

## Advantages of easy push

- ✓ Highly expanding materials easily emptied in a little while
- ✓ Low-wear emptying for containers and trucks
- ✓ Emptying independent of trucks (does not need to be in operation)
- ✓ Effortless, quick and secure emptying by the truck driver



Compacted material does not fall out of the filling chamber.



**Without easy push**, emptying becomes tedious manual work.



**With easy push** - Empty a full container in a matter of moments

For more information, please contact your PÖTTINGER sales representative.

only for new products  
(no retrofit solution)

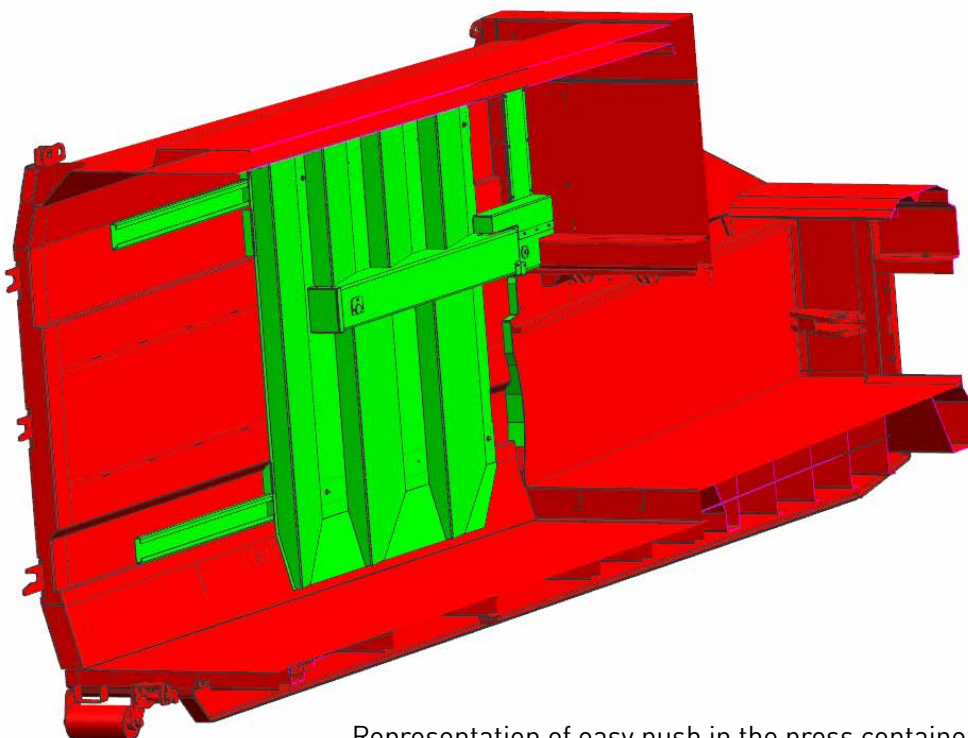
## Technical data

EASY PUSH	
Press container	MP 1.4, MP 1.9
Volumes	20 m <sup>3</sup> , 22 m <sup>3</sup>
Easy push dimensions W x D x H	1,910 x 226 x 1,966 mm
Space requirements	0.7 m <sup>3</sup>
Motor	5.5 kW
Pressing force	180 bar
Fuse inert	16 A
Power connection	400 V, 50 Hz
Discharge duration (one direction)	9 sec.



Operation via separate control panel (included)

EASY PUSH weight	MP 20-1.4	MP 22-1.4	MP 20-1.9	MP 22-1.9
Press container empty weight	5,097 kg	5,247 kg	5,360 kg	5,510 kg
Easy push weight	634 kg	634 kg	634 kg	634 kg
Total weight	5,731 kg	5,881 kg	5,994 kg	6,144 kg



Representation of easy push in the press container